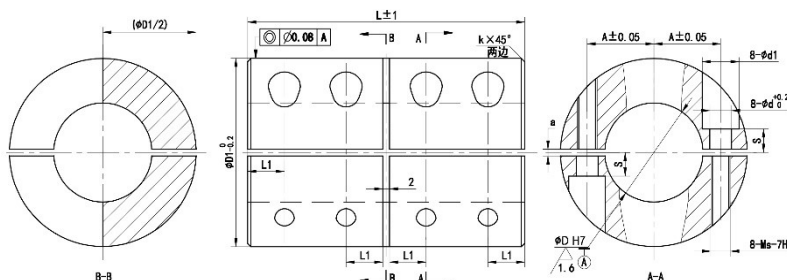


Dimensions (mm)

Model	D(H7)	D1	L	d	d1	A	L1	L2	S	Ms	H
CT-6	6	18	30	3.2	5.8	5.5	4	6.5	2	M3x8	5
CT-12	12	29	45	4.2	7.3	10	6	10	4	M4x12	8.5
CT-15	15	34	50	5.3	9.5	11.5	6	12	4.5	M5x16	9.5
CT-16	16	34	50	5.3	9.5	11.5	6	12	4.5	M5x16	10
CT-25	25	45	75	6.4	11	17	9	19	6	M6x16	15
CT-35	35	67	95	8.5	14	25	12	23	10	M8x25	21
CT-40	40	77	108	8.5	14	30	13	27	10	M8x25	24
CT-50	50	85	124	10.5	17	33.5	15	31	10	M10x25	29



Dimensions (mm)

Model	D(H7)	D1	L	d	d1	A	L1	S	a	Ms	k
CTG-6	6	18	30	3.2	5.8	5.5	4	2	1	M3x8	0.5
CTG-8	8	24	35	3.2	5.8	8	4.5	3	1	M3x10	0.5
CTG-10	10	29	45	4.2	7.3	10	6	4	1.5	M4x12	0.5
CTG-12	12	29	45	4.2	7.3	10	6	4	1.5	M4x12	0.5
CTG-14	14	34	50	5.3	9.5	11.5	6	4.5	1.5	M5x16	0.5
CTG-16	16	34	50	5.3	9.5	11.5	6	4.5	1.5	M5x16	0.5
CTG-20	20	42	65	6.4	11	15	8	6	2	M6x16	1
CTG-25	25	45	75	6.4	11	17	9	6	2	M6x16	1
CTG-30	30	53	83	6.4	11	20.5	10.5	6	2	M6x18	1
CTG-50	50	85	124	10.5	17	33.5	15.0	10	2	M10x25	1

Notes:

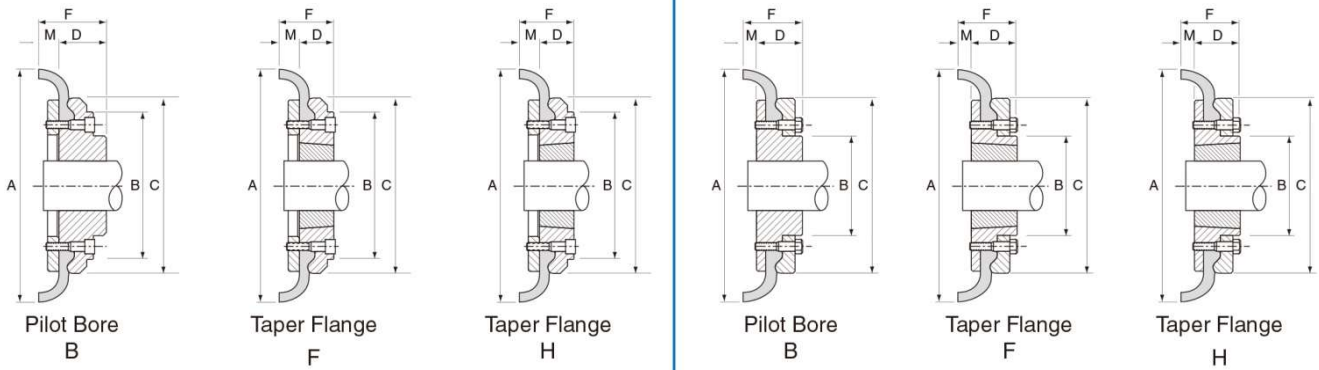
All couplings material option: Steel C45, Stainless steel.

If need finished bore, pls confirm the bore size before place an order.



Size 040 to 060

Size 070 to 250

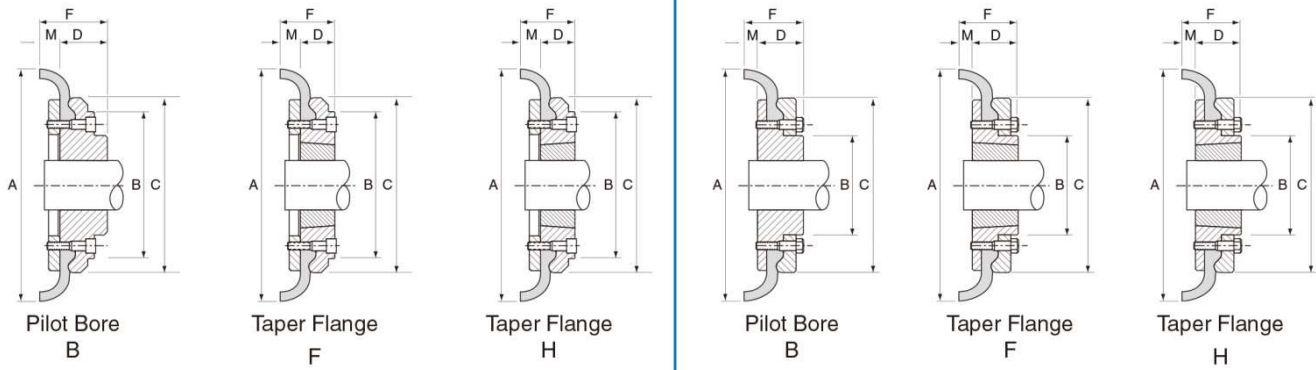


FEX Tyre Coupling Data

Coupling Size	Bush Size	Max Bore		Pilot Bore	A	B	C	M★	Type F & H		Type B		Weight# kg
		Metric	Inch						F	D	F	D	
040B	-	32	-	12	104	-	82	11.0	-	-	33	22	0.84
040F	1008	25	1"	-	104	-	82	11.0	33.0	22	-	-	0.84
040H	1008	25	1"	-	104	-	82	11.0	33.0	22	-	-	0.84
050B	-	38	-	15	133	79	100	12.5	-	-	45	32.5	1.26
050F	1210	32	1.1/4"	-	133	79	100	12.5	37.5	25	-	-	1.26
050H	1210	32	1.1/4"	-	133	79	100	12.5	37.5	25	-	-	1.26
060B	-	45	-	18	165	103	124.5	16.5	-	-	55	38.5	2.1
060F	1610	42	1.5/8"	-	165	103	124.5	16.5	41.5	25	-	-	2.1
060H	1610	42	1.5/8"	-	165	103	124.5	16.5	41.5	25	-	-	2.1
070B	-	50	-	22	187	80	142	11.5	-	-	46.5	35	3.26
070F	2012	50	2"	-	187	80	142	11.5	44.5	33	-	-	3.26
070H	1610	42	1.5/8"	-	187	80	142	11.5	42.5	31	-	-	3.15
080B	-	60	-	25	211	98	165	12.5	-	-	55	42.5	5.15
080F	2517	65	2.1/2"	-	211	98	165	12.5	58.5	46	-	-	5.15
080H	2012	50	2"	-	211	98	165	12.5	45.5	33	-	-	4.83
090B	-	70	-	28	235	108	187	13.5	-	-	63.5	50	7.46
090F	2517	65	2.1/2"	-	235	108	187	13.5	59.5	46	-	-	7.35
090H	2517	65	2.1/2"	-	235	108	187	13.5	59.5	46	-	-	7.35
100B	-	80	-	32	254	120	214	13.5	-	-	70.5	57	10.4
100F	3020	75	3"	-	254	120	214	13.5	65.5	52	-	-	10.4
100H	2517	65	2.1/2"	-	254	120	214	13.5	59.5	46	-	-	9.87
110B	-	90	-	30	279	134	232	12.5	-	-	70.5	58	13.1
110F	3020	75	3"	-	279	134	232	12.5	64.5	52	-	-	12.3
110H	3020	75	3"	-	279	134	232	12.5	64.5	52	-	-	12.3

Size 040 to 060

Size 070 to 250



FEX Tyre Coupling Data

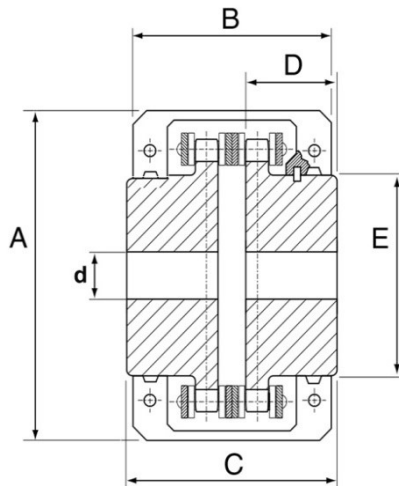
Coupling Size	Bush Size	Max Bore		Pilot Bore	A	B	C	M★	Type F & H		Type B		Weight# kg
		Metric	Inch						F	D	F	D	
120B	-	100	-	38	314	143	262	14.5	-	-	84.5	70	17.7
120F	3525	100	4"	-	314	140	262	14.5	80.5	66	-	-	17.7
120H	3020	75	3"	-	314	140	262	14.5	66.5	52	-	-	16.7
140B	-	130	-	75	359	178	313	16.0	-	-	110.0	94	23.3
140F	3525	100	4"	-	359	178	313	16.0	82.0	66	-	-	23.4
140H	3525	100	4"	-	359	178	313	16.0	82.0	66	-	-	23.4
160B	-	140	-	75	402	197	347	15.0	-	-	117	102	37.6
160F	4030	115	4.1/2"	-	402	197	347	15.0	92.4	77.4	-	-	34.1
160H	4030	115	4.1/2"	-	402	197	347	15.0	92.4	77.4	-	-	34.1
180B	-	150	-	75	470	205	396	23.0	-	-	137	114	51.6
180F	4535	125	5"	-	470	205	396	23.0	112.0	89	-	-	44.3
180H	4535	125	5"	-	470	205	396	23.0	112.0	89	-	-	44.3
200B	-	150	-	85	508	206	433	24.0	-	-	138	114	61.1
200F	4535	125	5"	-	508	206	433	24.0	113.0	89	-	-	56.3
200H	4535	125	5"	-	508	206	433	24.0	113.0	89	-	-	56.3
220B	-	160	-	85	562	224	472	27.5	-	-	154.5	127	83.6
220F	5040	125	5"	-	562	224	472	27.5	129.5	102	-	-	75.6
220H	5040	125	5"	-	562	224	472	27.5	129.5	102	-	-	75.6
250B	-	190	-	88	628	254	532	28.5	-	-	160.5	132	109.0
250F	5040	125	5"	-	628	254	532	28.5	155.5	127			106.0
250H	5040	125	5"	-	628	254	532	28.5	155.5	127			106.0

Notes:

= Is the weight for a half coupling.

★ = M is half the distance between flange faces.

All flexible tyres have an angular misalignment capacity up to 4°



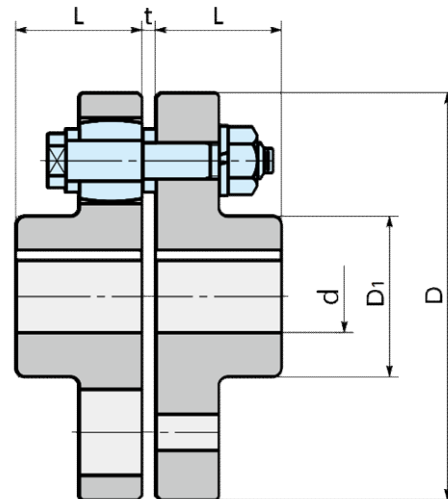
Dimensions (mm)

Chain Coupling Size	Chain pitch	Drill Hole d	Shaft Diameter		Casing O.D A	Casing Width B	Assembled Width C	Hub Length D	Hub Diameter E	Torque Ratings Nm	Complete Weight kg
			Min.	Max.							
KC-3012	9.525	12	14	16	69	63	65.0	29.5	27.2	150	0.5
KC-4012	12.7	12	14	22	77	72	79.4	36	36	210	1.0
KC-4014	12.7	12	14	28	84	75	79.4	36	45	300	1.4
KC-4016	12.7	14	14	32	92	72	87.4	40	51.5	380	1.8
KC-5014	15.875	14	17	35	101	85	99.7	45	56	550	2.5
KC-5016	15.875	16	18	40	110	87	99.7	45	64	725	3.2
KC-5018	15.875	16	18	45	122	85	99.7	45	73.5	925	4.0
KC-6018	19.05	20	22	56	147	105	123.5	56	89.5	1750	7.2
KC-6020	19.05	20	24	60	158	105	123.5	56	102.5	2050	9.5
KC-6022	19.05	20	28	71	168	117	123.5	56	116	2400	11.3
KC-8018	20.4	20	32	80	190	129	141.2	63	115	3800	14.7
KC-8020	20.4	20	36	90	210	137	145.2	65	125	4700	18.2
KC-8022	20.4	20	40	100	226	137	157.2	71	142	5500	23.3
KC-10020	31.75	25	45	110	281	153	178.8	80	162	8700	36.0
KC-12018	38.1	35	50	125	307	181	202.7	90	173	13250	49.0
KC-12022	38.1	35	56	140	357	181	202.7	100	213	17800	77.0

Notes:

All couplings with technical bore, without keyway.

If need finished bore, pls confirm the bore size before place an order.



Dimensions (mm)

FCL Coupling Size	Max. torque N.m	Max. speed r/min	D	D1	d	L	t	n-M	Weight kg
FCL90	4	4000	90	35.5	11	28	3	4-M8 x 50	1.7
FCL100	10	4000	100	40	11	35.5	3	4-M10 x 51	2.3
FCL112	16	4000	112	45	13	40	3	4-M10 x 52	2.8
FCL125	25	4000	125	50	13	45	3	4-M12 x 53	4.0
FCL140	50	4000	140	63	13	50	3	6-M12 x 64	5.4
FCL160	110	4000	160	80	15	56	3	8-M12 x 64	8.0
FCL180	157	3500	180	90	15	63	3	8-M12 x 64	10.5
FCL200	245	3200	200	100	21	71	4	8-M20 x 85	16.2
FCL224	392	2850	224	112	21	80	4	8-M20 x 85	21.3
FCL250	618	2550	250	125	25	90	4	8-M24 x 110	31.6
FCL280	980	2300	280	140	34	100	4	8-M24 x 116	44.0
FCL315	1568	2050	315	160	41	112	4	10-M24 x 116	57.7
FCL355	2450	1800	355	180	60	125	5	8-M30 x 50	89.5
FCL400	3920	1600	400	200	60	125	5	10-M30 x 150	113
FCL450	6174	1400	450	224	65	140	5	12-M30 x 150	145
FCL560	9800	1150	560	250	85	160	5	14-M30 x 150	229
FCL630	15680	1000	630	280	95	180	5	18-M30 x 150	296

Notes:

All couplings with technical bore, without keyway.

If need finished bore, pls confirm the bore size before place an order.