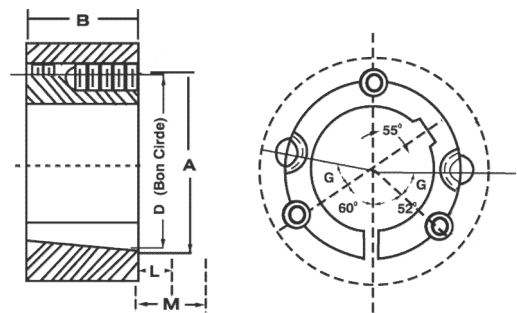


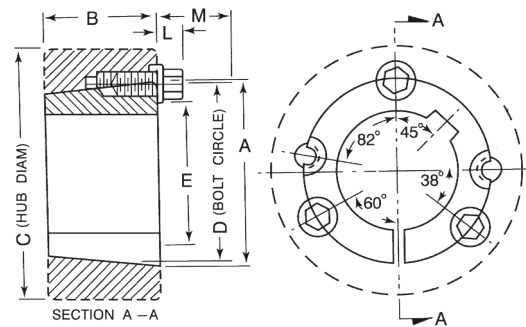
Structure for 1008 to 3030

Taper-lock bush Dimensions				Set screws
Bush No.	A	B	D	
1008	1.386	7/8	1 21/64	1/4 x 1/2
1108	1.511	7/8	1 29/64	1/4 x 1/2
1210	1.875	1	1 3/4	3/8 x 5/8
1215	1.875	1 1/2	1 3/4	3/8 x 5/8
1610	2.250	1	2 1/8	3/8 x 5/8
1615	2.250	1 1/2	2 1/8	3/8 x 5/8
2012	2.750	1 1/4	2 5/8	7/16 x 7/8
2517	3.375	1 3/4	3 1/4	1/2 x 1
2525	3.375	2 1/2	3 1/4	1/2 x 1
3020	4.250	2	4	5/8 x 1 1/4
3030	4.250	3	4	5/8 x 1 1/4



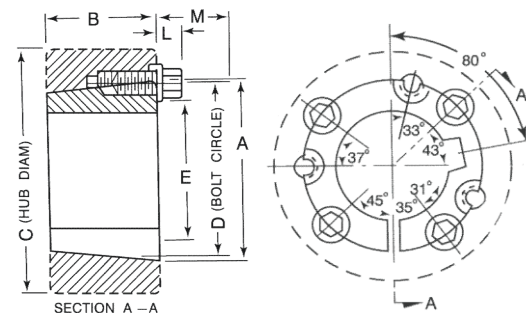
Structure for 3525 to 5050

Taper-lock bush Dimensions				Set/cap screws	G
Bush No.	A	B	D		
3525	5	2 1/2	4.83	1/2 x 1 1/2	40°
3535	5	3 1/2	4.83	1/2 x 1 1/2	40°
4030	5 3/4	3	5.54	5/8 x 1 3/4	40°
4040	5 3/4	4	5.54	5/8 x 1 3/4	40°
4535	6 3/8	3 1/2	6.13	3/4 x 2	40°
4545	6 3/8	4 1/2	6.13	3/4 x 2	40°
5040	7	4	6.72	7/8 x 2 1/4	37°
5050	7	5	6.72	7/8 x 2 1/4	37°



Structure for 6050

Taper-lock bush Dimensions				Cap screws
Bush No.	A	B	D	
6050	9 1/4	5	9	1 1/4 x 3 1/2
7060	10 1/4	6	10	1 1/4 x 3 1/2
8065	11 1/4	6 1/2	11	1 1/4 x 3 1/2



Structure for 7060 & 8065

Taper bush bore & keyway - mm

Bush No.	Bore range	Keyway
1008	10	3 x 1.40
	11, 12	4 x 1.80
	14, 16	5 x 2.30
	18, 19, 20, 22	6 x 2.80
	24	8 x 2.00
	25	8 x 1.30
1108	10	3 x 1.40
	11, 12	4 x 1.80
	14, 16	5 x 2.30
	18, 19, 20, 22	6 x 2.80
	24, 25	8 x 3.30
1210	11, 12	4 x 1.80
	14, 16	5 x 2.30
	18, 19, 20, 22	6 x 2.80
	24, 25, 28, 30	8 x 3.30
	32	10 x 3.30
1215	11, 12	4 x 1.80
	14, 16	5 x 2.30
	18, 19, 20, 22	6 x 2.80
	24, 25, 28, 30	8 x 3.30
	32	10 x 3.30
1610	14, 16	5 x 2.30
	18, 19, 20, 22	6 x 2.80
	24, 25, 28, 30	8 x 3.30
	32, 35, 38	10 x 3.30
	40	12 x 3.30
1615	14, 16	5 x 2.30
	18, 19, 20, 22	6 x 2.80
	24, 25, 28, 30	8 x 3.30
	32, 35, 38	10 x 3.30
	40	12 x 3.30
2012	18, 19, 20, 22	6 x 2.80
	24, 25, 28, 30	8 x 3.30
	32, 35, 38	10 x 3.30
	40, 42	12 x 3.30
	45, 48, 50	14 x 3.80
2517	20, 22	6 x 2.80
	24, 25, 28, 30	8 x 3.30
	32, 35, 38	10 x 3.30
	40, 42	12 x 3.30
	45, 48, 50	14 x 3.80
	55	16 x 4.30
2525	20, 22	6 x 2.80
	24, 25, 28, 30	8 x 3.30
	32, 35, 38	10 x 3.30
	40, 42	12 x 3.30
	45, 48, 50	14 x 3.80
	55	16 x 4.30
3020	25, 28, 30	8 x 3.30
	32, 35, 38	10 x 3.30
	40, 42	12 x 3.30
	45, 48, 50	14 x 3.80
	55	16 x 4.30
	60, 65	18 x 4.40
3030	25, 28, 30	8 x 3.30
	32, 35, 38	10 x 3.30
	40, 42	12 x 3.30
	45, 48, 50	14 x 3.80
	55	16 x 4.30
	60, 65	18 x 4.40
3525	35, 38	10 x 3.30
	40, 42	12 x 3.30
	45, 48, 50	14 x 3.80
	55	16 x 4.30
	60, 65	18 x 4.40
	70, 75	20 x 4.90
3535	35, 38	10 x 3.30
	40, 42	12 x 3.30
	45, 48, 50	14 x 3.80
	55	16 x 4.30
	60, 65	18 x 4.40
	70, 75	20 x 4.90
4030	40, 42	12 x 3.30
	45, 48, 50	14 x 3.80
	55	16 x 4.30
	60, 65	18 x 4.40
	70, 75	20 x 4.90
	80, 85	22 x 5.40
4040	40, 42	12 x 3.30
	45, 48, 50	14 x 3.80
	55	16 x 4.30
	60, 65	18 x 4.40
	70, 75	20 x 4.90
	80, 85	22 x 5.40
4535	45, 48, 50	14 x 3.80
	55	16 x 4.30
	60, 65	18 x 4.40
	70, 75	20 x 4.90
	80, 85	22 x 5.40
	90, 95	25 x 5.40
4545	55	16 x 4.30
	60, 65	18 x 4.40
	70, 75	20 x 4.90
	80, 85	22 x 5.40
	90, 95	25 x 5.40
	100	28 x 6.40
5040	70, 75	20 x 4.90
	80, 85	22 x 5.40
	90, 95	25 x 5.40
	100, 105, 110	28 x 6.40
	115, 120, 125	32 x 7.40
	70, 75	20 x 4.90
5050	80, 85	22 x 5.40
	90, 95	25 x 5.40
	100, 105, 110	28 x 6.40
	115, 120, 125	32 x 7.40
	105, 110	28 x 6.40
	115, 120, 125, 130	32 x 7.40
7060	140, 150	40 x 9.40
	115, 120, 125, 130	32 x 7.40
	140, 150, 160, 170	40 x 9.40
8065	180	45 x 10.40
	140, 150, 160, 170	40 x 9.40
	180, 200	45 x 10.40

Bush No.	Bore range	Keyway
3525	35, 38	10 x 3.30
	40, 42	12 x 3.30
	45, 48, 50	14 x 3.80
	55	16 x 4.30
	60, 65	18 x 4.40
	70, 75	20 x 4.90
3535	35, 38	10 x 3.30
	40, 42	12 x 3.30
	45, 48, 50	14 x 3.80
	55	16 x 4.30
	60, 65	18 x 4.40
	70, 75	20 x 4.90
4030	40, 42	12 x 3.30
	45, 48, 50	14 x 3.80
	55	16 x 4.30
	60, 65	18 x 4.40
	70, 75	20 x 4.90
	80, 85	22 x 5.40
4040	40, 42	12 x 3.30
	45, 48, 50	14 x 3.80
	55	16 x 4.30
	60, 65	18 x 4.40
	70, 75	20 x 4.90
	80, 85	22 x 5.40
4535	45, 48, 50	14 x 3.80
	55	16 x 4.30
	60, 65	18 x 4.40
	70, 75	20 x 4.90
	80, 85	22 x 5.40
	90, 95	25 x 5.40
4545	55	16 x 4.30
	60, 65	18 x 4.40
	70, 75	20 x 4.90
	80, 85	22 x 5.40
	90, 95	25 x 5.40
	100	28 x 6.40
5040	70, 75	20 x 4.90
	80, 85	22 x 5.40
	90, 95	25 x 5.40
	100, 105, 110	28 x 6.40
	115, 120, 125	32 x 7.40
	70, 75	20 x 4.90
5050	80, 85	22 x 5.40
	90, 95	25 x 5.40
	100, 105, 110	28 x 6.40
	115, 120, 125	32 x 7.40
	105, 110	28 x 6.40
	115, 120, 125, 130	32 x 7.40
7060	140, 150	40 x 9.40
	115, 120, 125, 130	32 x 7.40
	140, 150, 160, 170	40 x 9.40
8065	180	45 x 10.40
	140, 150, 160, 170	40 x 9.40
	180, 200	45 x 10.40

Note:
 Ordering example: 1610-14mm
 Accept custom made taper bushes.